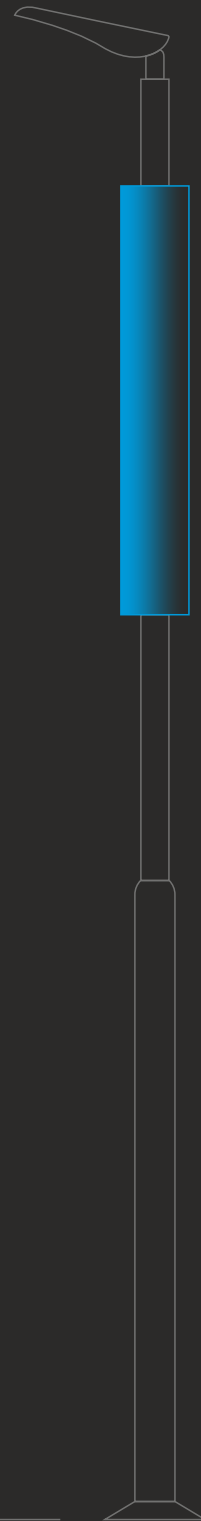




Quattro

# Solar lamp

The Solar lamp is an innovative  
and sustainable solution for  
the lighting of public spaces.



# SOLAR LAMP

The Solar lamp is an innovative and sustainable solution for the lighting of public spaces. Thanks to advanced LED technology and technical features it combines the benefits of solar energy with intelligent design, ensuring safe and effective lighting. The lamp is equipped with a highquality and powerful quadrangular (Quattro) solar panel that quickly and reliably collects solar energy, even in cloudy weather. Thanks to the advanced photovoltaic system (diffusion), it is capable of effectively transforming solar energy into electricity that is then quickly stored in the built-in accumulator. The solar lamp is equipped with an intelligent control system including motion sensors. The lamp automatically switches on and off as it detects moving pedestrians. Moreover, the lighting is optimised to LED biodynamics with 1,850 K chromaticity without the blue component, which eliminates negative impacts on the environment. The solar lamp is easy to install, which increases its practicality and usability.



The solar lamp is an optimal solution for places where it is difficult or impossible to install cabling for public lighting.



Easy replacement of both the electronic and optical components of the luminaires



Easy  
installation



Environmentally-  
friendly operation  
365 days

**25** LET  
YEARS

Minimum  
lifespan

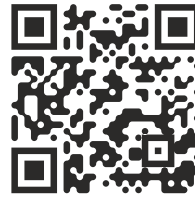


Lighting is provided  
by MARUT or HASSTA  
luminaires

Quadrangular  
stainless steel tube  
with four attached  
solar panels,  
accumulator  
and control unit

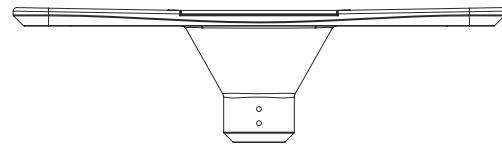
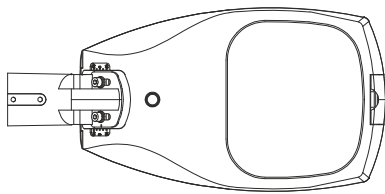
Intended for 4–15 m  
poles, standard  
pole height 6 m

## Lighting



Lighting is provided by **MARUT** or **HASSTA** luminaires with a variable optical system.

As a bonus, we offer the increasingly demanded biodynamically controlled color temperature depending on time.



## Ground screws



Foundation ground screws are a certified modern construction element. You don't need to deal with concrete, you won't ruin your lawn and you save valuable time. We are not limited by the season – we can perform installation even in the freezing winter weather.



## Technical specifications

Operating voltage	12 V
Maximum voltage	18 V
PV panel maximum power	240 Wp
Accumulator capacity	720 Wh
Accumulator life	25 years
Accumulator type	LTO
Luminaire channel 1	3,000 K / 4,000 K
Luminaire channel 2	1,850 K
Motion sensor range	14 m
Temperature range	-40 / +65 °C
Degree of coverage	IP 65
PV panel weight	28 kg
PV panel dimensions	1 750 × 380 mm

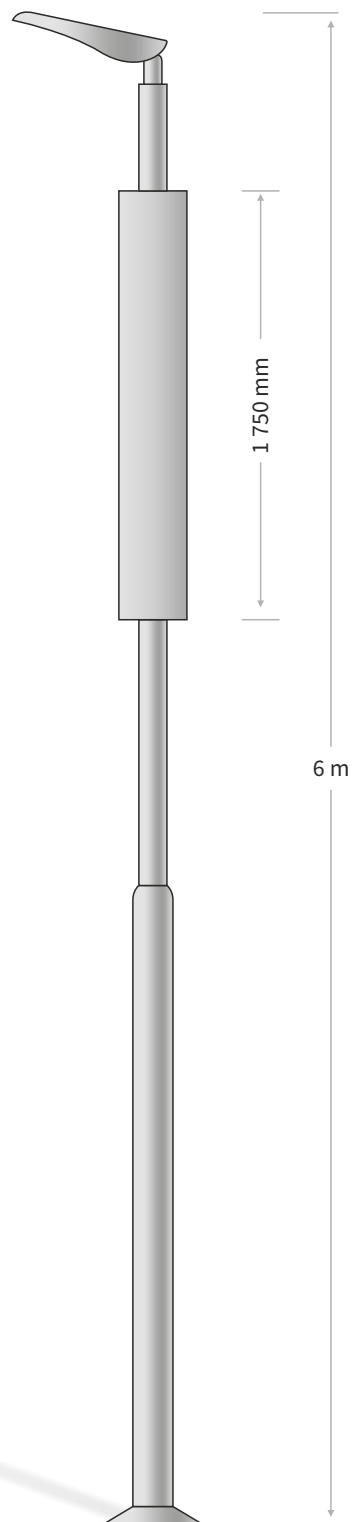
A fully autonomous system that will never go out during the night, even if the weather is bad for more than 1 month; it merely dims the intensity of the light. The adaptive automatic regime ensures trouble-free operation even in adverse conditions.

### OPTIONAL ACCESSORIES

- CCTV system
- e-bike charging station
- USB charging ports
- emergency calling system
- radio by wire
- air pollution monitoring
- compressor

### COMPLIES WITH STANDARDS

EN 50130-4 ed.2:2012  
EN 55022 ed.3:2011  
EN 50581:2012



	<b>EQ4</b>	<b>EQ6</b>	<b>EH6</b>	<b>EQDB6</b>
Lamp height in meters	4	6	6	6
Maximum rated solar power (Wp)	240	240	360	480
Possible range of supplied battery capacity LTO Min/Max (Wh) (alternative)	230—520	230—520	230—1560	230—1560
Luminaire power range (W)	10—40	10—40	20—40	20—40
Luminaire 2,700 k (alternative)	YES	YES	YES	YES
Biodynamic luminaire 1,850 k (alternative)	NO	NO	YES	YES
Single-sided lamp (alternative)	YES	YES	YES	YES
Double-sided lamp (alternative)	YES	YES	YES	YES
Possible connectivity	BT/GSM	BT/GSM	GSM	GSM
Possibility of remote monitoring	YES	YES	YES	YES
Motion sensor on the lamp (decrease/increase illumination when people move)	YES	YES	YES	YES
Possible accessories (alternative)	Camera	Camera	Camera, charging, USB station for e-bikes	Camera, charging, USB station for e-bikes
Screw anchoring	YES	YES	YES	YES
Classic anchoring to concrete	YES	YES	YES	YES
Product warranty in years including prepaid remote monitoring	5	5	5	5
Lifetime of LTO batteries in years	25	25	25	25

## Contact us

**ELEKTRO-LUMEN, s. r. o.**

Hranická 505  
753 61 Hranice IV  
Czech Republic

+420 581 699 411  
el-lumen@el-lumen.cz  
www.el-lumen.cz  
www.lumenlights.eu  
Data box — yzz3me8

 GPS 49.5528583N, 17.7121406E

