

MARUT XL G2

DATASHEET | SPECIFICATIONS



TECHNICAL SPECIFICATIONS

ELECTRICAL PARAMETERS	
Light source	» LED
AC voltage	» AC 220–240 V / 50–60 Hz
Connection	» leading out cable » leading out cable with connector (G) » without cable (WO)
Driver	» electronic driver with surge protection L/N-Ground 10 kV
Surge protection	» additional surge protection 10 kV (S)
Fuse	» fuse 6,3 A (J)
Dimming	» non-dimmable (not labeled) » DALI (DALI) » night dimming (A) » preparation for wireless communication NEMA (N) » Zhaga (Z)
Constant lumen output	» CLO (C)
LIGHT PARAMETERS	
Optical system	» roads (Mxx) » roads (Lxx) » directional (Pxx) » area (Uxx) » pedestrian crossing (ZLx/ZPx) » combined optics (Kxx) » BACK light shades (BL1/BL2) » FRONT light shades (FL1/FL2)
Light distribution	» direct
Color rendering index	» Ra > 70 » Ra > 80
Color temperature	» BLUE FREE (AMBER) » 2 200 K » 2 700 K » 3 000 K » 4 000 K » 5 000 K » 5 700 K
Service life	» > 100 000 hours (L90B10)
CONSTRUCTION	
Housing	» aluminum cast
Color	» RAL 7015/9006
Surface	» matte
Cover	» tempered glass
SAFETY	
Protection class	» I » II
Ambient operating temperature	» -40 / +55 °C
Ingress protection	» IP 66
Impact protection	» IK 09
EMC	» ANO
Vibration test	» ANO
Certification	» ENEC » ENEC+ » Zhaga-D4i » IDA Dark Sky Approved
RoHS	» ANO
REACH	» ANO
MOUNTING	
Method	» pole or outrigger (48–60 mm) » adapter (60–76) (on request) » adjustable joint ± 15°
Recommended height	» up to 15 m
Additional equipment	» external shades CPZ (on order)

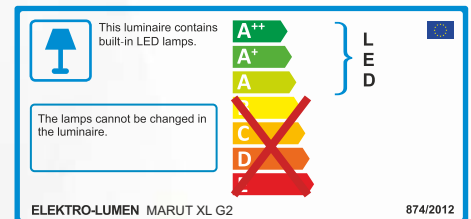
CHARACTERISTIC

Elegant outdoor LED luminaire with an integrated surge protection and adjustable joint with the possibility of integration into “Smart City”.

USE

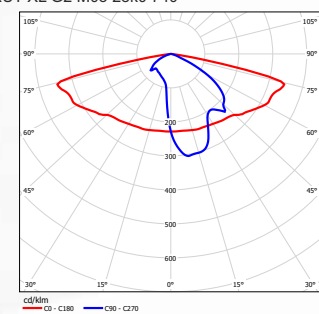
Road classes I. and II.

Outdoor areas



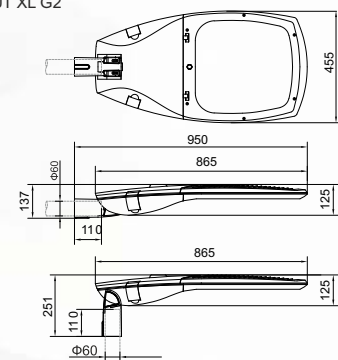
LIGHT DISTRIBUTION CURVE

MARUT XL G2 M03 28k0 740



DIMENSIONS

MARUT XL G2



VARIANTS

DATASHEET MARUT XL G2

VARIANTS (chip 3535)	POWER (W)				LUMINAIRE OUTPUT FLUX (lm)		LUMINAIRE EFFICIENCY (lm/W)	SERVICE LIFE (hrs.)	WEIGHT
	Color temperature (K)				min	max	Up to	L90B10	kg*
Catalog name	2200K (Ra 70)	2700K (Ra 70)	3000K (Ra 70)	4000K (Ra 70)					
MARUT XL G2 Mxx 14k0	100,6	91,3	85,5	80,7	11 712	12 954	160,5	> 100 000	15.2
MARUT XL G2 Mxx 16k0	118	101,3	99,6	94	13 386	14 805	157,5	> 100 000	15.2
MARUT XL G2 Mxx 18k0	134	116,5	115,5	108	15 059	16 655	154,2	> 100 000	15.2
MARUT XL G2 Mxx 21k0	149	138	129	123	17 569	19 431	158,0	> 100 000	15.2
MARUT XL G2 Mxx 24k0	175	150	152	143	20 078	22 207	155,3	> 100 000	15.2
MARUT XL G2 Mxx 28k0	-	180**	169	160	23 425	25 908	161,9	> 100 000	15.2
MARUT XL G2 Mxx 30k0	-	196**	183**	173	25 098	27 759	160,5	> 100 000	15.2
MARUT XL G2 Mxx 36k0	-	-	231**	216**	30 118	33 311	154,2	> 100 000	15.2

VARIANTS (chip 5050)	POWER (W)					LUMINAIRE OUTPUT FLUX (lm)		LUMINAIRE EFFICIENCY (lm/W)	SERVICE LIFE (hrs.)	WEIGHT
	BLUE FREE (AMBER)	Color temperature (K)				min	max	Up to	L90B10	kg*
Catalog name		2200K (Ra 70)	2700K (Ra 70)	3000K (Ra 70)	4000K (Ra 70)					
MARUT XL G2 Lxx 14k0	92	90,2	85,3	78,8	74,5	12 249	13 241	177,7	> 100 000	15.2
MARUT XL G2 Lxx 16k0	106,7	105	95,6	91,7	86,6	13 998	15 133	174,7	> 100 000	15.2
MARUT XL G2 Lxx 18k0	122	120	109,2	105	98,8	15 748	17 024	172,3	> 100 000	15.2
MARUT XL G2 Lxx 21k0	138	134	131	120	114	18 373	19 862	174,2	> 100 000	15.2
MARUT XL G2 Lxx 24k0	158	156	151	140	132	20 998	22 699	172,0	> 100 000	15.2
MARUT XL G2 Lxx 28k0	189**	-	169	156	147	24 497	26 482	180,1	> 100 000	15.2
MARUT XL G2 Lxx 30k0	-	-	182**	169	159	26 247	28 374	178,5	> 100 000	15.2
MARUT XL G2 Lxx 36k0	-	-	-	210**	195**	31 496	34 049	174,6	> 100 000	15.2

* The weight may vary slightly depending on the luminaire variant.

** Can not be produced under ENEC licence.

Luminaire ambient temperature TQ 25 °C
Initial color consistency: ≤ 5 SDCM
Optical and electrical parameters tolerance ± 10 %
IDA Dark Sky fixture seal of approval relates to ≤ 3 000 K
To meet IDA requirements, the luminaires must be installed horizontally with the road

When using the CLO function, the initial power and luminous flux is 10 % lower than the value shown in the table. LDT curves with CLO function have the letter "C" at the end of their marking.

The term BLUE FREE (AMBER) in lighting technology refers to light with a minimum amount of the blue part of the light spectrum (< 2%).

CODE DESCRIPTION

MARUT XL	II	G2	M01BL2	28k0	730	B124	45CAZ	SJG	H3S	ENEC		
											Name	
											Class	
											Without marking	Class I
											II	Class II
											Luminaire generation	
											Optical system	
											M01	Roads
											L01	Roads
											P01	Directional
											U01	Area
											ZP1/ZL1	Pedestrian crossings
											K01	Combined optics
											BL1/BL2	BACK light shades
											Luminous flux marking (source)	
											Ra 70 / 3 000 K	
											LED module marking	
											B	LED module type
											1	
											2	
											4	Mask type
											Driver type	
											43	DALI driver + 3 pole terminal block
											45	DALI driver + 5 pole terminal block
											45P	DALI driver + 5 pole terminal block + presence detection
											4	DALI driver
											1	on/off driver
											D	D4i – (for Zhaga connector)
											C	Constant luminous flux (CLO)
											A	AstroDim
											Z	Zhaga connector, 4 pin (D4i driver)
											N	NEMA connector, 7 pin (DALI driver)
											S	Surge protection 10 kV
											J	Fuse 6,3 A
											G	Gesis connector
											H	H05(07)RN-F cable (1 mm ²)
											C	CYKY cable (1,5 mm ²)
											WO	Without cable
											2	2 core cable
											3	3 core cable
											5	5 core cable
											S	Standard – 25 cm length of cable (led out of the luminaire)
											1	1 meter (length in whole meters)
											ENEC certification	