

MARUT XL G2

DATASHEET | SPECIFICATIONS



TECHNICAL SPECIFICATIONS

| ELECTRICAL PARAMETERS | |
|-------------------------------|---|
| Light source | » LED |
| AC voltage | » AC 220–240 V / 50–60 Hz |
| Connection | » leading out cable » leading out cable with connector (G) » without cable (WO) |
| Driver | » electronic driver with surge protection L/N-Ground 10 kV |
| Surge protection | » additional surge protection 10 kV (S) |
| Fuse | » fuse 6,3 A (J) |
| Dimming | » non-dimmable (not labeled) » DALI (DALI) » night dimming (A) » preparation for wireless communication NEMA (N) » Zhaga (Z) |
| Constant lumen output | » CLO (C) |
| LIGHT PARAMETERS | |
| Optical system | » roads (Mxx) » roads (Lxx) » directional (Pxx) » area (Uxx) » combined optics (Kxx) » BACK light shades (BL1/BL2) » FRONT light shades (FL1/FL2) |
| Light distribution | » direct |
| Color rendering index | » Ra > 70 » Ra > 80 |
| Color temperature | » BLUE FREE (AMBER) » 2 200 K » 2 700 K » 3 000 K » 4 000 K » 5 000 K » 5 700 K |
| Service life | » > 100 000 hours (L90B10) |
| CONSTRUCTION | |
| Housing | » aluminum cast |
| Color | » RAL 7015/9006 |
| Surface | » matte |
| Cover | » tempered glass |
| SAFETY | |
| Protection class | » I » II |
| Ambient operating temperature | » -40 / +55 °C |
| Ingress protection | » IP 66 |
| Impact protection | » IK 09 |
| EMC | » ANO |
| Vibration test | » ANO |
| Certification | » ENEC » ENEC+ » Zhaga-D4i » IDA Dark Sky Approved |
| RoHS | » ANO |
| REACH | » ANO |
| MOUNTING | |
| Method | » pole or outrigger (48–60 mm) » adapter (60–76) (on request) » adjustable joint ± 15° |
| Recommended height | » up to 15 m |
| Additional equipment | » external shades CPZ (on order) |

CHARACTERISTIC

Elegant outdoor LED luminaire with an integrated surge protection and adjustable joint with the possibility of integration into “Smart City”.

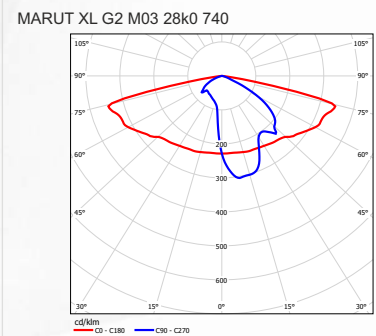
USE

- Road classes I. and II.
- Outdoor areas

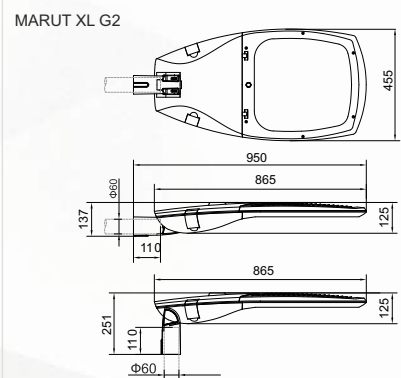
LED DIMM AD DALI IP 66 IK 09 CB EMC Vibration

This luminaire contains built-in LED lamps. The lamps cannot be changed in the luminaire. A++ A+ A C D LED 874/2012

LIGHT DISTRIBUTION CURVE



DIMENSIONS



VARIANTS

DATASHEET MARUT XL G2

| VARIANTS (chip 3535) | POWER (W) | | | | LUMINAIRE OUTPUT FLUX (lm) | | LUMINAIRE EFFICIENCY (lm/W) | SERVICE LIFE (hrs.) | WEIGHT |
|-------------------------|-------------------------------|--------------------------------|------------------------------|------------------------------|-------------------------------|--------|-----------------------------------|------------------------|--------|
| | Color temperature (K) | | | | | | | | |
| Catalog name | 2200K Ra 70 U500 < 6.5% | 2700K Ra 70 U500 < 10.5% | 3000K Ra 70 U500 < 15% | 4000K Ra 70 U500 < 23% | min | max | Up to | L90B10 | kg* |
| MARUT XL G2 Mxx 14k0 | 100,6 | 91,3 | 85,5 | 80,7 | 11 712 | 12 954 | 160,5 | > 100 000 | 15.2 |
| MARUT XL G2 Mxx 16k0 | 118 | 101,3 | 99,6 | 94,1 | 13 386 | 14 805 | 157,3 | > 100 000 | 15.2 |
| MARUT XL G2 Mxx 18k0 | 134 | 116,5 | 115,5 | 108 | 15 059 | 16 655 | 154,2 | > 100 000 | 15.2 |
| MARUT XL G2 Mxx 21k0 | 149 | 138 | 129 | 123 | 17 569 | 19 431 | 158,0 | > 100 000 | 15.2 |
| MARUT XL G2 Mxx 24k0 | 175 | 150 | 152 | 143 | 20 078 | 22 207 | 155,3 | > 100 000 | 15.2 |
| MARUT XL G2 Mxx 28k0 | - | 180** | 169 | 160 | 23 425 | 25 908 | 161,9 | > 100 000 | 15.2 |
| MARUT XL G2 Mxx 30k0 | - | 196** | 183** | 173 | 25 098 | 27 759 | 160,5 | > 100 000 | 15.2 |
| MARUT XL G2 Mxx 36k0 | - | - | 231** | 216** | 30 118 | 33 311 | 154,2 | > 100 000 | 15.2 |

| VARIANTS (chip 5050) | POWER (W) | | | | | LUMINAIRE OUTPUT FLUX (lm) | | LUMINAIRE EFFICIENCY (lm/W) | SERVICE LIFE (hrs.) | WEIGHT |
|-------------------------|-----------------------------------|-----------------------------|--------------------------------|------------------------------|------------------------------|-------------------------------|--------|-----------------------------------|------------------------|--------|
| | Color temperature (K) | | | | | | | | | |
| Catalog name | BLUE FREE AMBER U500 < 1.7% | 2200K Ra 70 U500 < 7% | 2700K Ra 70 U500 < 10.6% | 3000K Ra 70 U500 < 14% | 4000K Ra 70 U500 < 21% | min | max | Up to | L90B10 | kg* |
| MARUT XL G2 Lxx 14k0 | 92 | 90,2 | 85,3 | 78,8 | 74,5 | 12 249 | 13 241 | 177,7 | > 100 000 | 15.2 |
| MARUT XL G2 Lxx 16k0 | 106,7 | 105 | 95,6 | 91,7 | 86,6 | 13 998 | 15 133 | 174,7 | > 100 000 | 15.2 |
| MARUT XL G2 Lxx 18k0 | 122 | 120 | 109,2 | 105 | 98,8 | 15 748 | 17 024 | 172,3 | > 100 000 | 15.2 |
| MARUT XL G2 Lxx 21k0 | 138 | 134 | 131 | 120 | 114 | 18 373 | 19 862 | 174,2 | > 100 000 | 15.2 |
| MARUT XL G2 Lxx 24k0 | 158 | 156 | 151 | 140 | 132 | 20 998 | 22 699 | 172,0 | > 100 000 | 15.2 |
| MARUT XL G2 Lxx 28k0 | 189** | - | 169 | 156 | 147 | 24 497 | 26 482 | 180,1 | > 100 000 | 15.2 |
| MARUT XL G2 Lxx 30k0 | - | - | 182** | 169 | 159 | 26 247 | 28 374 | 178,5 | > 100 000 | 15.2 |
| MARUT XL G2 Lxx 36k0 | - | - | - | 210** | 195** | 31 496 | 34 049 | 174,6 | > 100 000 | 15.2 |

* The weight may vary slightly depending on the luminaire variant.

** Can not be produced under ENEC licence.

| |
|---|
| Luminaire ambient temperature TQ 25 °C |
| Initial color consistency: ≤ 5 SDCM |
| Optical and electrical parameters tolerance ± 10 % |
| IDA Dark Sky fixture seal of approval relates to ≤ 3 000 K |
| To meet IDA requirements, the luminaires must be installed horizontally with the road |

When using the CLO function, the initial power and luminous flux is 10 % lower than the value shown in the table. LDT curves with CLO function have the letter "C" at the end of their marking.

The term BLUE FREE (AMBER) in lighting technology refers to light with a minimum amount of the blue part of the light spectrum (< 2%).

CODE DESCRIPTION

| MARUT XL | II | G2 | M01BL2 | 28k0 | 730 | B124 | 45CAZ | SJG | H3S | ENEC | | |
|----------|----|----|--------|------|-----|------|-------|-----|-----|------|--------------------------------|---|
| | | | | | | | | | | | | |
| | | | | | | | | | | | Name | |
| | | | | | | | | | | | Class | |
| | | | | | | | | | | | Without marking | Class I |
| | | | | | | | | | | | II | Class II |
| | | | | | | | | | | | Luminaire generation | |
| | | | | | | | | | | | Optical system | |
| | | | | | | | | | | | M01 | Roads |
| | | | | | | | | | | | L01 | Roads |
| | | | | | | | | | | | P01 | Directional |
| | | | | | | | | | | | U01 | Area |
| | | | | | | | | | | | K01 | Combined optics |
| | | | | | | | | | | | BL1/BL2 | BACK light shades |
| | | | | | | | | | | | Luminous flux marking (source) | |
| | | | | | | | | | | | Ra 70 / 3 000 K | |
| | | | | | | | | | | | LED module marking | |
| | | | | | | | | | | | B | LED module type |
| | | | | | | | | | | | 1 | |
| | | | | | | | | | | | 2 | |
| | | | | | | | | | | | 4 | Mask type |
| | | | | | | | | | | | Driver type | |
| | | | | | | | | | | | 43 | DALI driver + 3 pole terminal block |
| | | | | | | | | | | | 45 | DALI driver + 5 pole terminal block |
| | | | | | | | | | | | 45P | DALI driver + 5 pole terminal block + presence detection |
| | | | | | | | | | | | 4 | DALI driver |
| | | | | | | | | | | | 1 | on/off driver |
| | | | | | | | | | | | D | D4i driver - (for Zhaga connector) |
| | | | | | | | | | | | C | Constant luminous flux (CLO) |
| | | | | | | | | | | | A | AstroDim |
| | | | | | | | | | | | Z | Zhaga connector, 4 pin (D4i driver) |
| | | | | | | | | | | | N | NEMA connector, 7 pin (DALI driver) |
| | | | | | | | | | | | S | Surge protection 10 kV |
| | | | | | | | | | | | J | Fuse 6,3 A |
| | | | | | | | | | | | G | Gesis connector |
| | | | | | | | | | | | H | H05(07)RN-F cable (1 mm ²) |
| | | | | | | | | | | | C | CYKY cable (1,5 mm ²) |
| | | | | | | | | | | | WO | Without cable |
| | | | | | | | | | | | 2 | 2 core cable |
| | | | | | | | | | | | 3 | 3 core cable |
| | | | | | | | | | | | 5 | 5 core cable |
| | | | | | | | | | | | S | Standard – 25 cm length of cable (led out of the luminaire) |
| | | | | | | | | | | | 1 | 1 meter (length in whole meters) |
| | | | | | | | | | | | ENEC certification | |