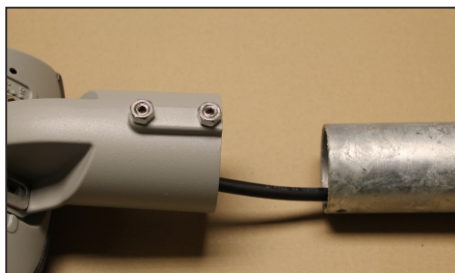


Luminaire with pre-installed cable

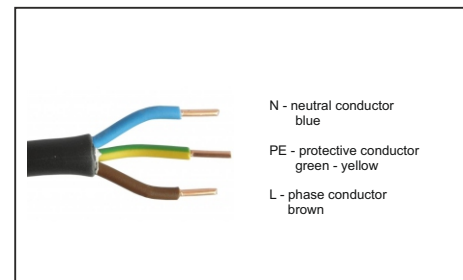
1. Unpack the luminaire.



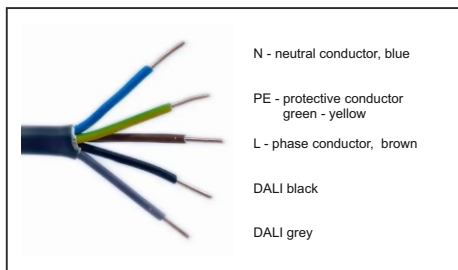
2. Prepare the luminaire for the installation.



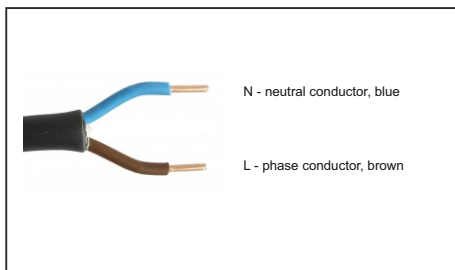
3. Connect the 3 core cable to the power supply (Class I.).



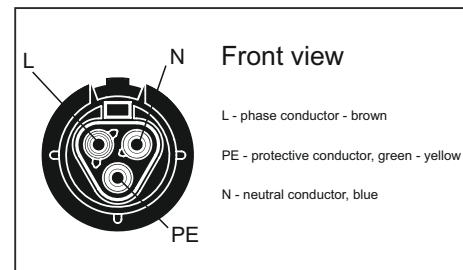
4. Connect the 5 core cable to the power supply (Class I.).



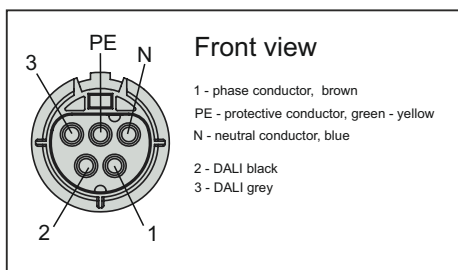
5. Connect the 2 core cable to the power supply (Class II.).



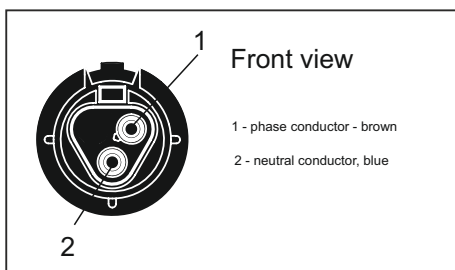
6. Connect the 3 pin connector Gesis to the power supply (Class I.).



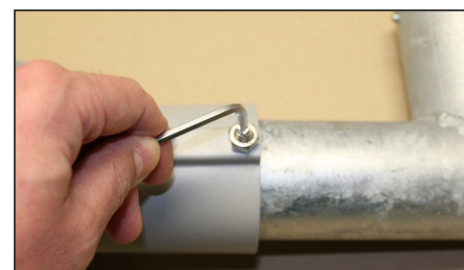
7. Connect the 5 pin connector Gesis to the power supply (Class I.).



8. Connect the 2 pin connector Gesis to the power supply (Class II.).



9. Fix the luminaire on the post or outrigger.



Luminaire without pre-installed cable

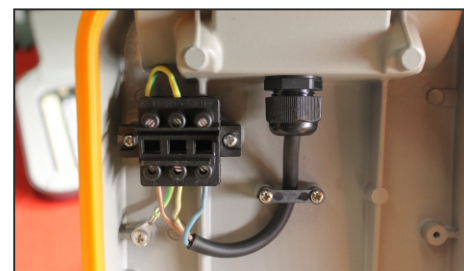
10. While installing the luminaire on outrigger, push the cable through a cable gland into the luminaire.



11. Strip the end of the cable (7 cm) and the ends of the wires (1 cm)



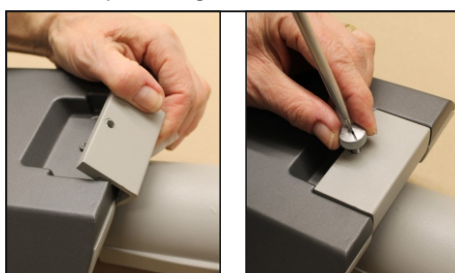
12. Connect wires to the disconnecter.



13. Tighten the cable gland.



14. Close the luminaire, secure with a clip and tighten the screw.



15. Orientation of the luminaire for the post installation.



16. Orientation of the luminaire for the outrigger installation.



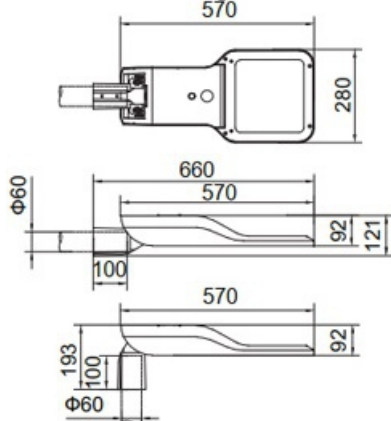
17. Tighten two screws with tightening torque of 8 Nm and secure with nuts



18. Loosen two allen screws to set an angle of the luminaire. Tightening torque of 8 Nm.



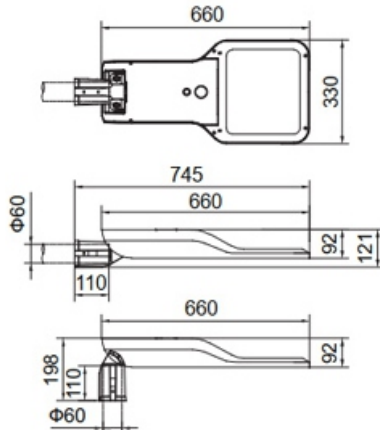
ELEKTRA S



Weight icon = 4,8 kg

Recommended installation height up to 8 meters.

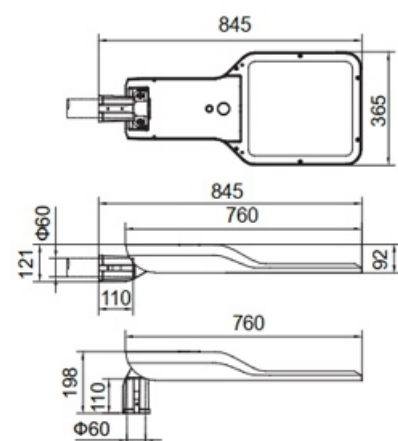
ELEKTRA M



Weight icon = 7,9 kg

Recommended installation height up to 12 meters.

ELEKTRA L



Weight icon = 9,2 kg

Recommended installation height up to 15 meters.

- The installation of luminaires is possible at ambient air temperatures exceeding 5°C; at lower temperatures, the installation of luminaires is not recommended due to the susceptibility of cables, wires, and other components to brittleness.

- The installation of luminaires under adverse weather conditions such as rain, snowfall, etc., is not recommended due to the risk of moisture or water entering the luminaires.

- If the external flexible cable or cord of this luminaire is damaged, it shall be exclusively replaced by the manufacturer or his service agent or a similar qualified person in order to avoid a hazard.

- The light sources in this luminaire is only replaceable by the manufacturer or their technicians or a qualified person.

- **Caution, risk of electric shock**



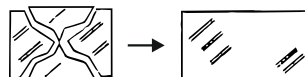
- Do not look directly or with optical aids into the light source RG1 d > 0,5 m



- This luminaire operates at mains voltage 220-240V, 50-60 Hz.

- Any modification to this luminaire is forbidden.

- Replace any cracked protective shield.



Cleaning:

clean the luminaire with the standard detergents. DO NOT use any abrasive detergents or solvents.

Installation and maintenance:

can provide only a person with an electrical qualification.

ELEKTRO-LUMEN, s. r. o.
Hranická 505
753 61 Hranice IV - Drahotuše
Česká republika

Telefon: +420 581 699 411
Fax: +420 581 699 419
E-mail: el-lumen@el-lumen.cz
Web: www.el-lumen.cz

